

Material

0.9mm galvanised steel

Sizes

Common sizes are a stock item
Special requirements are manufactured to order

Dimensions

When placing an order, the measurements for A, B & C must be stated. Please note that the options are limited by the fact that $A = C$ & $A \geq B$

Calculations

$L1 =$ See table

$L2 = (1/2) - (L1 - (A / \tan \alpha))$

$L3 = ((L1 - L2) / \cos \alpha) - ((B/2) \times \tan \alpha)$

Example

$A=500, B=500, C=450$

$L1 = 950\text{mm}$

$L2 = 0.5 - (950 - (500/\tan 44.7))$

$= 0.5 - (950 - 505.26)$

$L2 = -444.24 \sim -444\text{mm}$

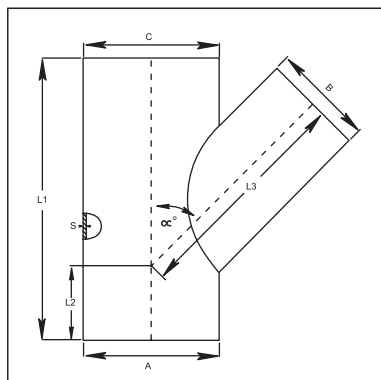
$L3 = ((950 + 444)/\cos 44.7) -$

$((500/2) \times \tan 44.7) = 1961.17 - 247.40$

$L3 = 1713.77 \sim 1714\text{mm}$

45° Straight Branch Pieces

Code BPS45



Dimensional specifications are given in the table below

Dimensional Specifications

A=C mm	B mm	L1 mm	L2 mm	L3 mm	α°	S mm
Choose (100 - 1000)	80	300	Calculated	Calculated	43.8	0.90
	100	300			43.8	0.90
	120	350			44.0	0.90
	125	350			44.0	0.90
	140	350			44.1	0.90
	150	400			44.2	0.90
	160	400			44.2	0.90
	180	400			44.3	0.90
	200	450			44.4	0.90
	225	500			44.5	0.90
	250	500			44.5	0.90
	275	600			44.6	0.90
	300	600			44.6	0.90
	315	600			44.6	0.90
	350	700			44.7	0.90
	400	800			44.7	0.90
	450	950			44.7	0.90
	500	1050			44.8	0.90
	550	1150			44.8	0.90
	600	1150			44.8	0.90
630	1150	44.8	0.90			
650	1150	44.8	0.90			
700	1300	44.8	0.90			
750	1300	44.8	0.90			
800	1450	44.8	0.90			
850	1450	44.9	0.90			
900	1650	44.9	0.90			

